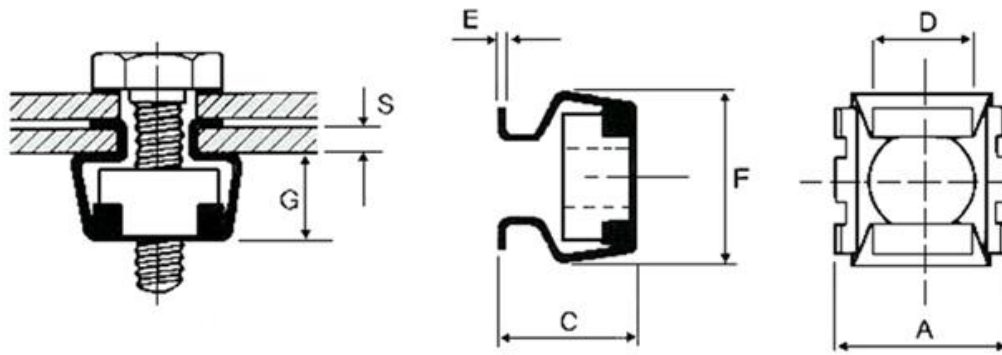


GW7 Cage Nut



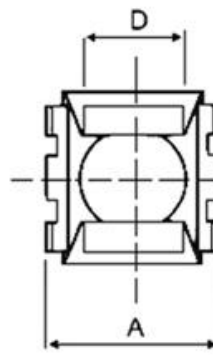
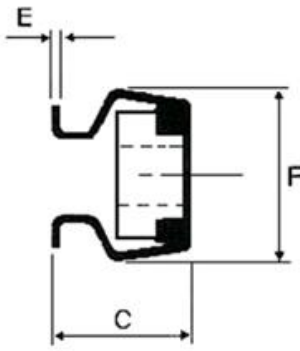
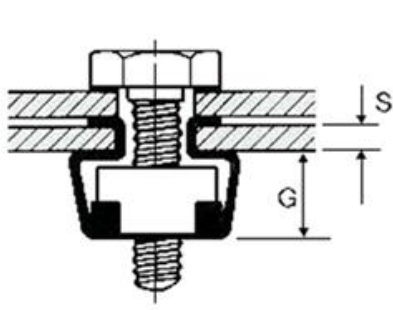
Cage	Nut	Part No. (XX)
Steel	Steel	01
Stainless Steel	Mild Steel	02
Stainless Steel	Stainless Steel	03

Part No.	Thread Size	Grip Range	A	C	D	E	F	G	Hole Size	Socket
GW70533A-XX	M3	0.3 - 0.9	9.5	5.2	4.8	0.3	9.7	3.6	5.3 x 5.3	8 x 8 x 2.5
GW70533B-XX		1.0 - 1.6	9.5	5.9	4.8	0.3	9.7	3.6	5.3 x 5.3	8 x 8 x 2.5
GW70533C-XX		1.7 - 2.3	9.5	6.6	4.8	0.3	9.7	3.6	5.3 x 5.3	8 x 8 x 2.5
GW70533D-XX		2.4 - 3.1	9.5	7.4	4.8	0.3	9.7	3.6	5.3 x 5.3	8 x 8 x 2.5
GW70534A-XX	M4	0.3 - 0.9	9.5	5.2	4.8	0.3	9.7	3.6	5.3 x 5.3	8 x 8 x 2.5
GW70534B-XX		1.0 - 1.6	9.5	5.9	4.8	0.3	9.7	3.6	5.3 x 5.3	8 x 8 x 2.5
GW70534C-XX		1.7 - 2.3	9.5	6.6	4.8	0.3	9.7	3.6	5.3 x 5.3	8 x 8 x 2.5
GW70534D-XX		2.4 - 3.1	9.5	7.4	4.8	0.3	9.7	3.6	5.3 x 5.3	8 x 8 x 2.5
GW70674A-XX	M4	0.7 - 1.6	10	7.2	5.8	0.45	10.3	4.8	6.7 x 6.7	8 x 8 x 3.5
GW70674B-XX		1.7 - 2.6	10	8.2	5.8	0.45	10.3	4.8	6.7 x 6.7	8 x 8 x 3.5
GW70675A-XX	M5	0.7 - 1.6	10	7.2	5.8	0.45	10.3	4.8	6.7 x 6.7	8 x 8 x 3.5
GW70675B-XX		1.7 - 2.6	10	8.2	5.8	0.45	10.3	4.8	6.7 x 6.7	8 x 8 x 3.5
GW708340-XX	M4	0.3 - 1.1	12	8.0	7.2	0.45	12.2	6.0	8.3 x 8.3	10 x 10 x 4.5
GW70834A-XX		1.2 - 1.6	12	8.5	7.2	0.45	12.2	6.0	8.3 x 8.3	10 x 10 x 4.5
GW70834B-XX		1.7 - 2.5	12	9.5	7.2	0.45	12.2	6.0	8.3 x 8.3	10 x 10 x 4.5
GW70834C-XX		2.6 - 3.5	12	10.5	7.2	0.45	12.2	6.0	8.3 x 8.3	10 x 10 x 4.5
GW70834D-XX		3.6 - 4.5	12	11.5	7.2	0.45	12.2	6.0	8.3 x 8.3	10 x 10 x 4.5
GW708350-XX	M5	0.3 - 1.1	12	8.0	7.2	0.45	12.2	6.0	8.3 x 8.3	10 x 10 x 4.5
GW70835A-XX		1.2 - 1.6	12	8.5	7.2	0.45	12.2	6.0	8.3 x 8.3	10 x 10 x 4.5
GW70835B-XX		1.7 - 2.5	12	9.5	7.2	0.45	12.2	6.0	8.3 x 8.3	10 x 10 x 4.5
GW70835C-XX		2.6 - 3.5	12	10.5	7.2	0.45	12.2	6.0	8.3 x 8.3	10 x 10 x 4.5
GW70835D-XX		3.6 - 4.5	12	11.5	7.2	0.45	12.2	6.0	8.3 x 8.3	10 x 10 x 4.5
GW708360-XX	M6	0.3 - 1.1	12	8.0	7.2	0.45	12.2	6.0	8.3 x 8.3	10 x 10 x 4.5
GW70836A-XX		1.2 - 1.6	12	8.5	7.2	0.45	12.2	6.0	8.3 x 8.3	10 x 10 x 4.5
GW70836B-XX		1.7 - 2.5	12	9.5	7.2	0.45	12.2	6.0	8.3 x 8.3	10 x 10 x 4.5
GW70836C-XX		2.6 - 3.5	12	10.5	7.2	0.45	12.2	6.0	8.3 x 8.3	10 x 10 x 4.5
GW70836D-XX		3.6 - 4.5	12	11.5	7.2	0.45	12.2	6.0	8.3 x 8.3	10 x 10 x 4.5

General tolerance ± 0.3

Dimensions in millimeters

GW7 Cage Nut



Cage	Nut	Part No. (XX)
Steel	Steel	01
Stainless Steel	Mild Steel	02
Stainless Steel	Stainless Steel	03

Part No.	Thread Size	Grip Range	A	C	D	E	F	G	Hole Size	Socket
GW70954A-XX	M4	0.7 - 1.6	13.2	8.8	8.2	0.5	13.5	6	9.5 x 9.5	11 x 11 x 4.5
GW70954B-XX		1.7 - 2.7	13.2	9.5	8.2	0.5	13.5	6	9.5 x 9.5	11 x 11 x 4.5
GW70954C-XX		2.7 - 3.5	13.2	10.2	8.2	0.5	13.5	6	9.5 x 9.5	11 x 11 x 4.5
GW70955A-XX	M5	0.7 - 1.6	13.2	8.8	8.2	0.5	13.5	6	9.5 x 9.5	11 x 11 x 4.5
GW70955B-XX		1.7 - 2.7	13.2	9.5	8.2	0.5	13.5	6	9.5 x 9.5	11 x 11 x 4.5
GW70955C-XX		2.7 - 3.5	13.2	10.2	8.2	0.5	13.5	6	9.5 x 9.5	11 x 11 x 4.5
GW70956A-XX	M6	0.7 - 1.6	13.2	8.8	8.2	0.5	13.5	6	9.5 x 9.5	11 x 11 x 4.5
GW70956B-XX		1.7 - 2.7	13.2	9.5	8.2	0.5	13.5	6	9.5 x 9.5	11 x 11 x 4.5
GW70956C-XX		2.7 - 3.5	13.2	10.2	8.2	0.5	13.5	6	9.5 x 9.5	11 x 11 x 4.5
GW71236A-XX	M6	1.0 - 1.7	16.0	10.4	10.6	0.6	16.6	7.8	12.3 x 12.3	14 x 14 x 5.5
GW71236B-XX		1.8 - 3.2	16.0	12.0	10.6	0.6	16.6	7.8	12.3 x 12.3	14 x 14 x 5.5
GW71236C-XX		3.3 - 4.7	16.0	13.5	10.6	0.6	16.6	7.8	12.3 x 12.3	14 x 14 x 5.5
GW71236D-XX		4.8 - 5.5	16.0	14.5	10.6	0.6	16.6	7.8	12.3 x 12.3	14 x 14 x 5.5
GW71238A-XX	M8	1.0 - 1.7	16.0	10.4	10.6	0.6	16.6	7.8	12.3 x 12.3	14 x 14 x 5.5
GW71238B-XX		1.8 - 3.2	16.0	12.0	10.6	0.6	16.6	7.8	12.3 x 12.3	14 x 14 x 5.5
GW71238C-XX		3.3 - 4.7	16.0	13.5	10.6	0.6	16.6	7.8	12.3 x 12.3	14 x 14 x 5.5
GW71238D-XX		4.8 - 5.5	16.0	14.5	10.6	0.6	16.6	7.8	12.3 x 12.3	14 x 14 x 5.5
GW71231A-XX	M10	1.0 - 1.7	16.0	10.4	10.6	0.6	16.6	7.8	12.3 x 12.3	14 x 14 x 5.5
GW71231B-XX		1.8 - 3.2	16.0	12.0	10.6	0.6	16.6	7.8	12.3 x 12.3	14 x 14 x 5.5
GW71231C-XX		3.3 - 4.7	16.0	13.5	10.6	0.6	16.6	7.8	12.3 x 12.3	14 x 14 x 5.5
GW71231D-XX		4.8 - 5.5	16.0	14.5	10.6	0.6	16.6	7.8	12.3 x 12.3	14 x 14 x 5.5
GW71410A-XX	M10	1.0 - 1.7	20.0	13.5	12.6	0.6	20.5	10.4	14 x 14	17 x 17 x 7.5
GW71410B-XX		1.8 - 3.2	20.0	15.0	12.6	0.6	20.5	10.4	14 x 14	17 x 17 x 7.5
GW71410C-XX		3.3 - 4.7	20.0	16.5	12.6	0.6	20.5	10.4	14 x 14	17 x 17 x 7.5
GW71410D-XX		4.8 - 6.2	20.0	18.0	12.6	0.6	20.5	10.4	14 x 14	17 x 17 x 7.5
GW71412A-XX	M12	1.0 - 1.7	20.0	13.5	12.6	0.6	20.5	10.4	14 x 14	17 x 17 x 7.5
GW71412B-XX		1.8 - 3.2	20.0	15.0	12.6	0.6	20.5	10.4	14 x 14	17 x 17 x 7.5
GW71412C-XX		3.3 - 4.7	20.0	16.5	12.6	0.6	20.5	10.4	14 x 14	17 x 17 x 7.5
GW71412D-XX		4.8 - 6.2	20.0	18.0	12.6	0.6	20.5	10.4	14 x 14	17 x 17 x 7.5

General tolerance ± 0.3

Dimensions in millimeters